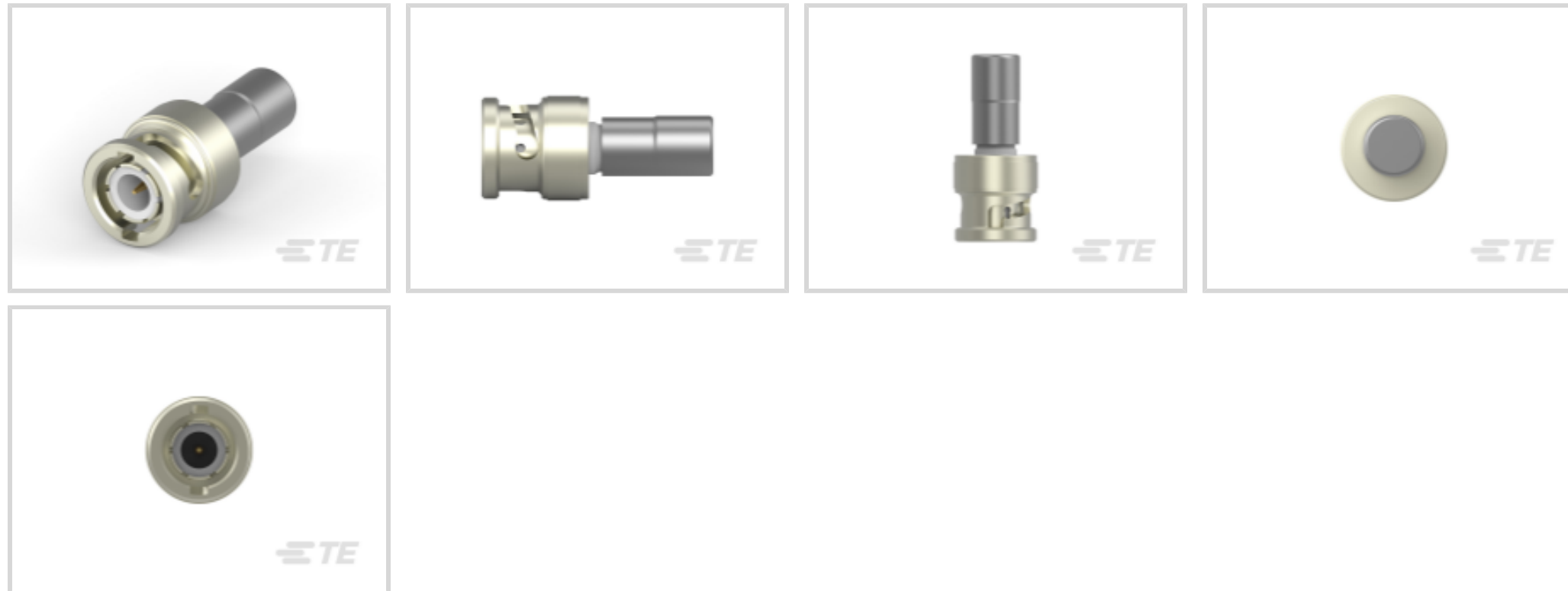




Connectors > RF Coax Connectors > Coax Terminators



Impedance: 50 Ω

Number of Positions: 1

Circuit Application: **Signal**

Operating Temperature Range: -55 – 85 °C [ -67 – 185 °F ]

## Features

### Configuration Features

|                     |   |
|---------------------|---|
| Number of Positions | 1 |
|---------------------|---|

### Electrical Characteristics

|           |      |
|-----------|------|
| Impedance | 50 Ω |
|-----------|------|

### Body Features

|                       |        |
|-----------------------|--------|
| Body Plating Material | Nickel |
|-----------------------|--------|

### Contact Features

|  |       |
|--|-------|
| RF Connector Center Contact Plating Material | Gold  |
| RF Connector Center Contact Material         | Brass |

### Housing Features

|                  |          |
|------------------|----------|
| Body Orientation | Straight |
|------------------|----------|

### Usage Conditions

|                             |                              |
|-----------------------------|------------------------------|
| Insulation Option           | Uninsulated                  |
| Operating Temperature Range | -55 – 85 °C [ -67 – 185 °F ] |

### Operation/Application

|                     |        |
|---------------------|--------|
| Circuit Application | Signal |
|---------------------|--------|

### Packaging Features



|                    |             |
|--------------------|-------------|
| Packaging Quantity | 100         |
| Packaging Method   | Loose Piece |

### Other

|                     |              |
|---------------------|--------------|
| Grade               | Commercial   |
| Dielectric Material | Polyethylene |

## Product Compliance

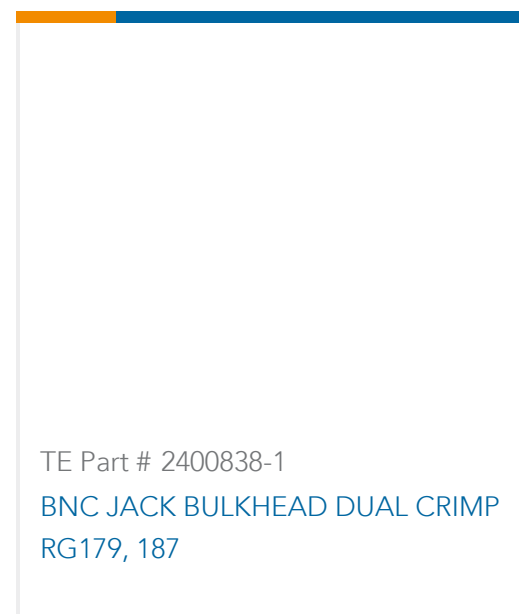
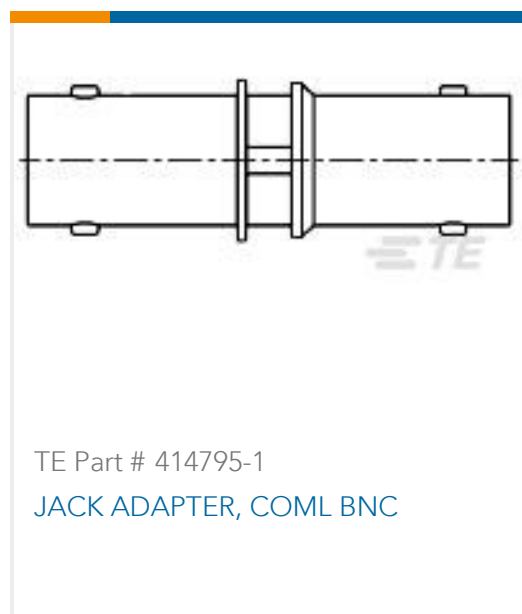
[For compliance documentation, visit the product page on TE.com>](#)

|   |   |
|---|---|
| EU RoHS Directive 2011/65/EU                  | Compliant with Exemptions   |
| EU ELV Directive 2000/53/EC                   | Compliant with Exemptions   |
| China RoHS 2 Directive MIIT Order No 32, 2016 | Restricted Materials Above Threshold  |
| EU REACH Regulation (EC) No. 1907/2006        | Current ECHA Candidate List: JUNE 2022 (224)<br>Candidate List Declared Against: JAN 2022 (223)<br>SVHC > Threshold:<br>Pb (3.7% in component part)<br><b>Article Safe Usage Statements:</b><br>Do not eat, drink or smoke when using this product. Wash thoroughly after handling. Recycle if possible and dispose of the article by following all applicable governmental regulations relevant to your geographic location. |
| Halogen Content                               | BFR/CFR/PVC Free, but Br/Cl >900 ppm in other sources.  |
| Solder Process Capability                     | Not applicable for solder process capability  |

#### Product Compliance Disclaimer

This information is provided based on reasonable inquiry of our suppliers and represents our current actual knowledge based on the information they provided. This information is subject to change. The part numbers that TE has identified as EU RoHS compliant have a maximum concentration of 0.1% by weight in homogenous materials for lead, hexavalent chromium, mercury, PBB, PBDE, DBP, BBP, DEHP, DIBP, and 0.01% for cadmium, or qualify for an exemption to these limits as defined in the Annexes of Directive 2011/65/EU (RoHS2). Finished electrical and electronic equipment products will be CE marked as required by Directive 2011/65/EU. Components may not be CE marked. Additionally, the part numbers that TE has identified as EU ELV compliant have a maximum concentration of 0.1% by weight in homogenous materials for lead, hexavalent chromium, and mercury, and 0.01% for cadmium, or qualify for an exemption to these limits as defined in the Annexes of Directive 2000/53/EC (ELV). Regarding the REACH Regulation, the information TE provides on SVHC in articles for this part number is based on the latest European Chemicals Agency (ECHA) 'Guidance on requirements for substances in articles' posted at this URL: <https://echa.europa.eu/guidance-documents/guidance-on-reach>

## Compatible Parts



## Documents

### CAD Files

[3D PDF](#)

[3D](#)

Customer View Model

[ENG\\_CVM\\_CVM\\_5221629-4\\_O\\_c-5221629-4-o.2d\\_dxf.zip](#)

English

Customer View Model

[ENG\\_CVM\\_CVM\\_5221629-4\\_O\\_c-5221629-4-o.3d\\_igs.zip](#)

English

Customer View Model

[ENG\\_CVM\\_CVM\\_5221629-4\\_O\\_c-5221629-4-o.3d\\_stp.zip](#)

English

By downloading the CAD file I accept and agree to the [Terms and Conditions](#) of use.

### Datasheets & Catalog Pages

[BNC Connectors](#)

English

### Product Environmental Compliance

[TE Material Declaration](#)

English